



# HRE-0650-4 HEAT REACTIVATED DESICCANT AIR DRYER GENERAL ARRANGEMENT

TOLERANCES UNLESS  
OTHERWISE SPECIFIED:

- FRACTIONS = ± 1/4 "
- ANGLES = ± 3°
- INCHES = ± 1/2 "
- FINISH = 250

THE SPECIFICATIONS AND DRAWINGS DISCLOSED HEREIN ARE THE SOLE PROPERTY OF ALTEC AIR, AND SHALL NOT BE COPIED OR USED AS THE BASIS FOR SALE OR MANUFACTURE WITHOUT EXPRESS WRITTEN PERMISSION.

### REVISION LOG

REV.	ECO.	DESCRIPTION	DATE	APPROVED
D	1075	PRODUCTION UPDATES	1/8/2021	WS

DRAWING NO.

**AT20-949**

REV.  
**D**

DRAWN: WS

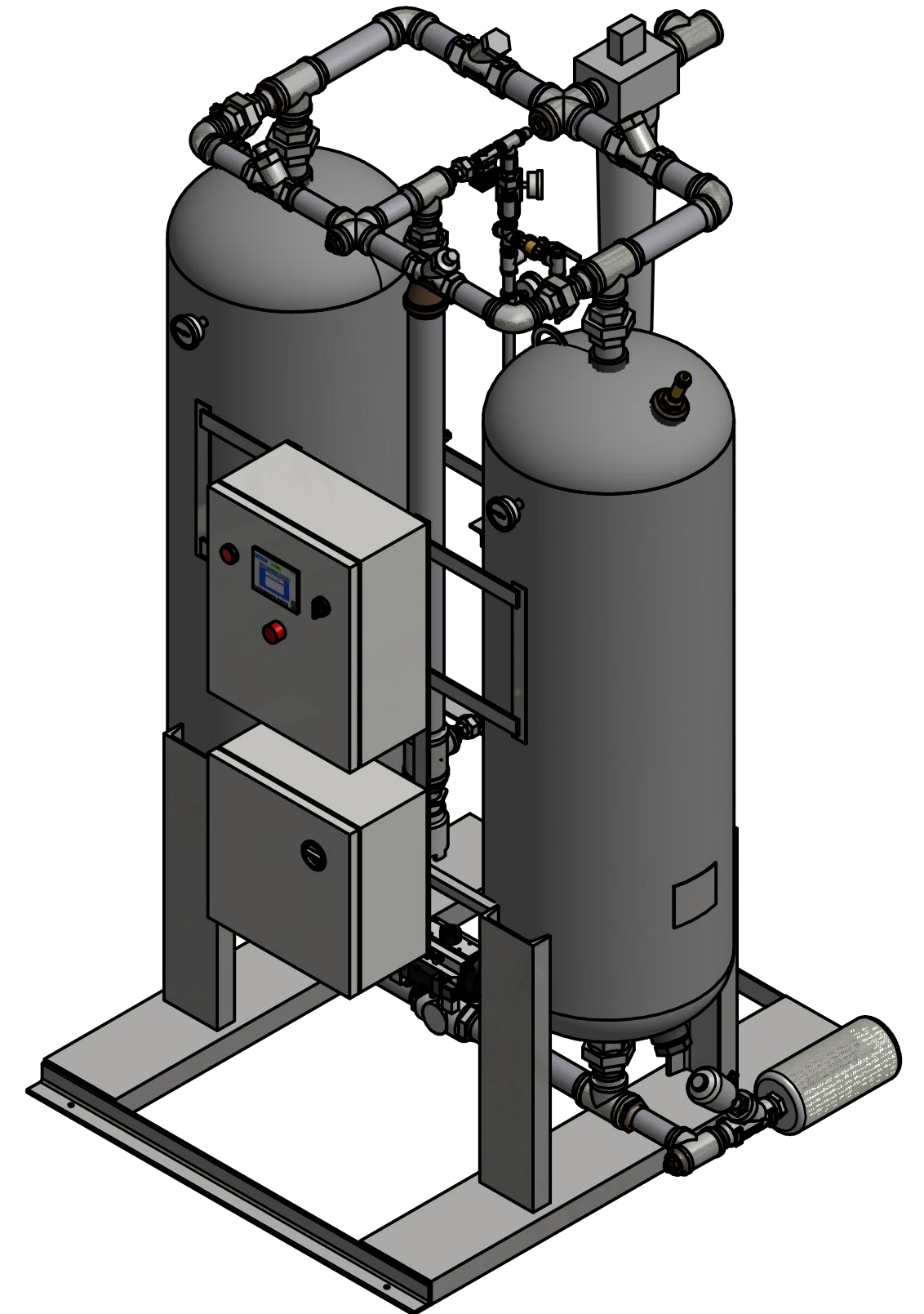
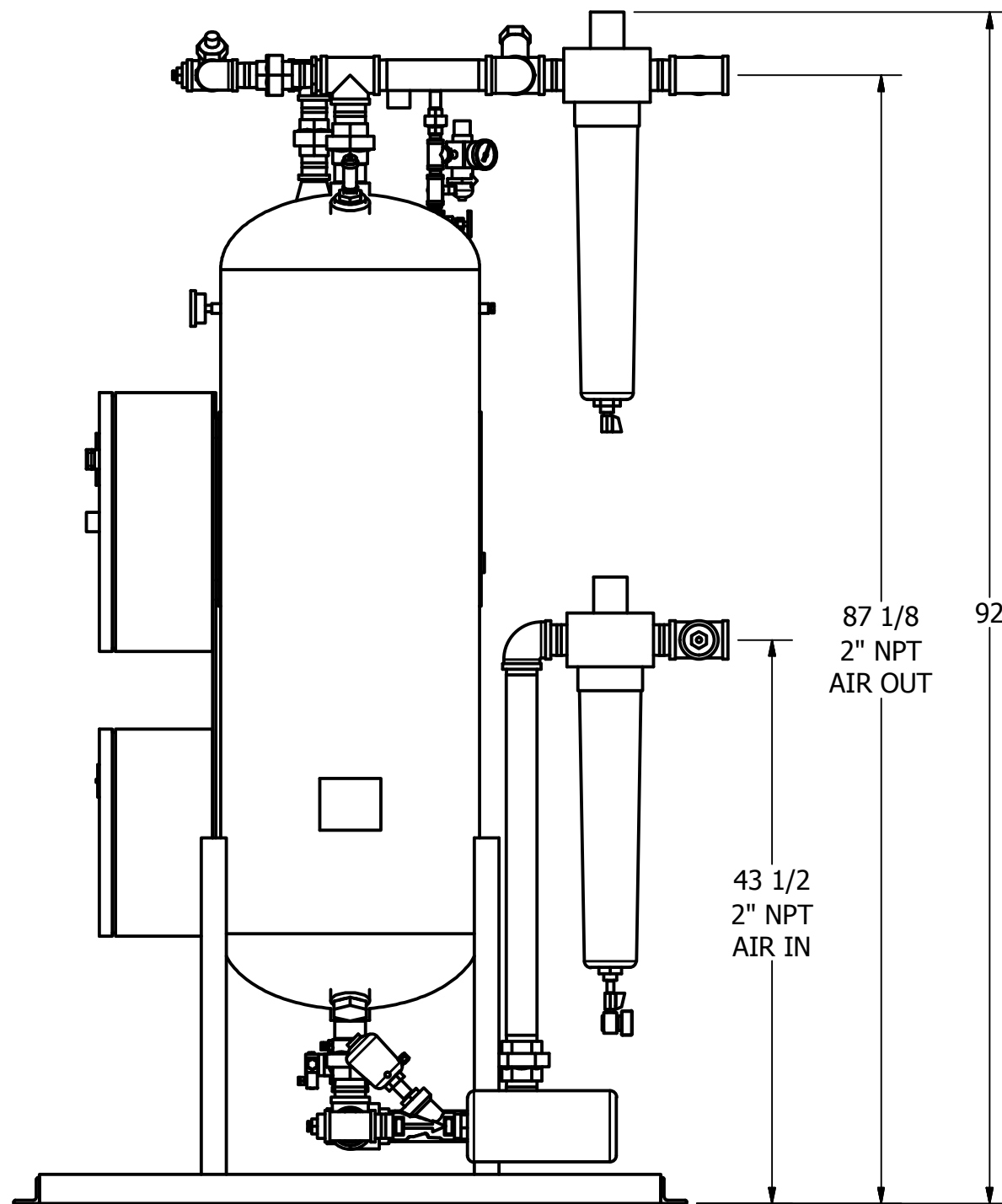
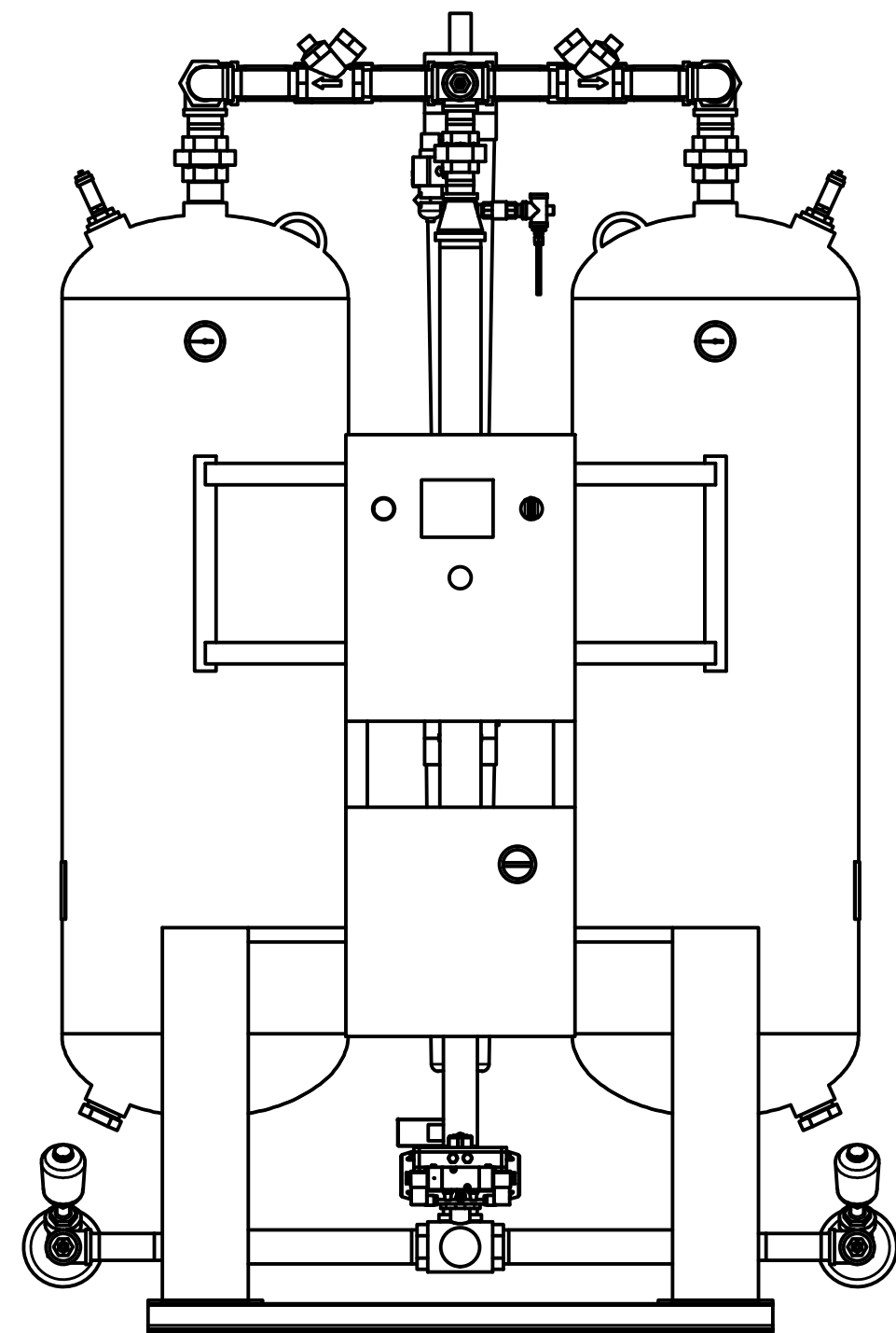
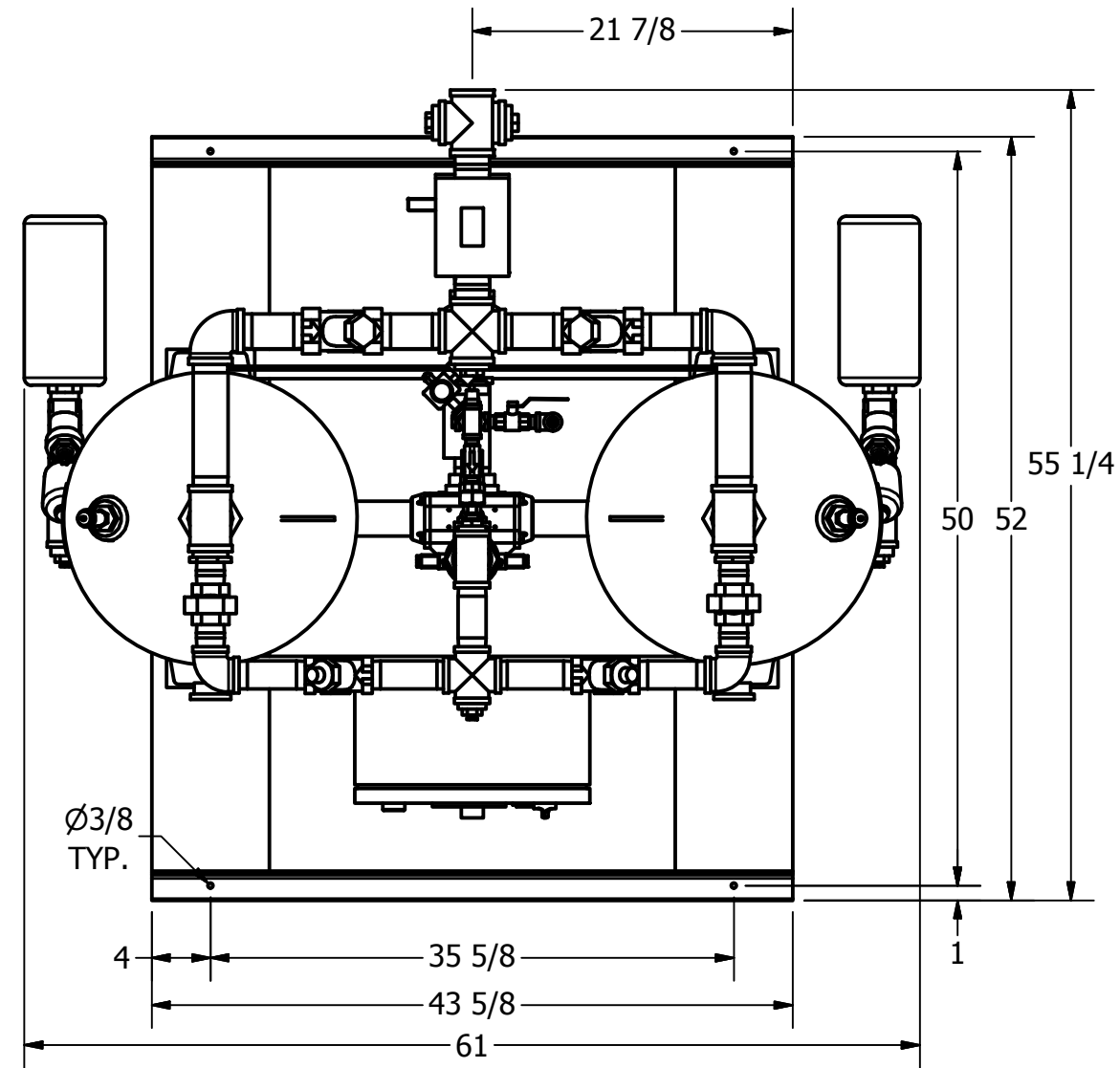
DATE: 8/28/2017

CHECKED:

DATE:

SCALE: N/A

SHEET: 1 OF 2



**PRELIMINARY**



# HRE-0650-4 HEAT REACTIVATED DESICCANT AIR DRYER GENERAL ARRANGEMENT

TOLERANCES UNLESS  
OTHERWISE SPECIFIED:

FRACTIONS = ± 1/4 "  
ANGLES = ± 3°  
INCHES = ± 1/2 "  
FINISH = 250

THE SPECIFICATIONS AND DRAWINGS DISCLOSED HEREIN ARE THE SOLE PROPERTY OF ALTEC AIR, AND SHALL NOT BE COPIED OR USED AS THE BASIS FOR SALE OR MANUFACTURE WITHOUT EXPRESS WRITTEN PERMISSION.

### REVISION LOG

REV.	ECO.	DESCRIPTION	DATE	APPROVED
D	1075	PRODUCTION UPDATES	1/8/2021	WS

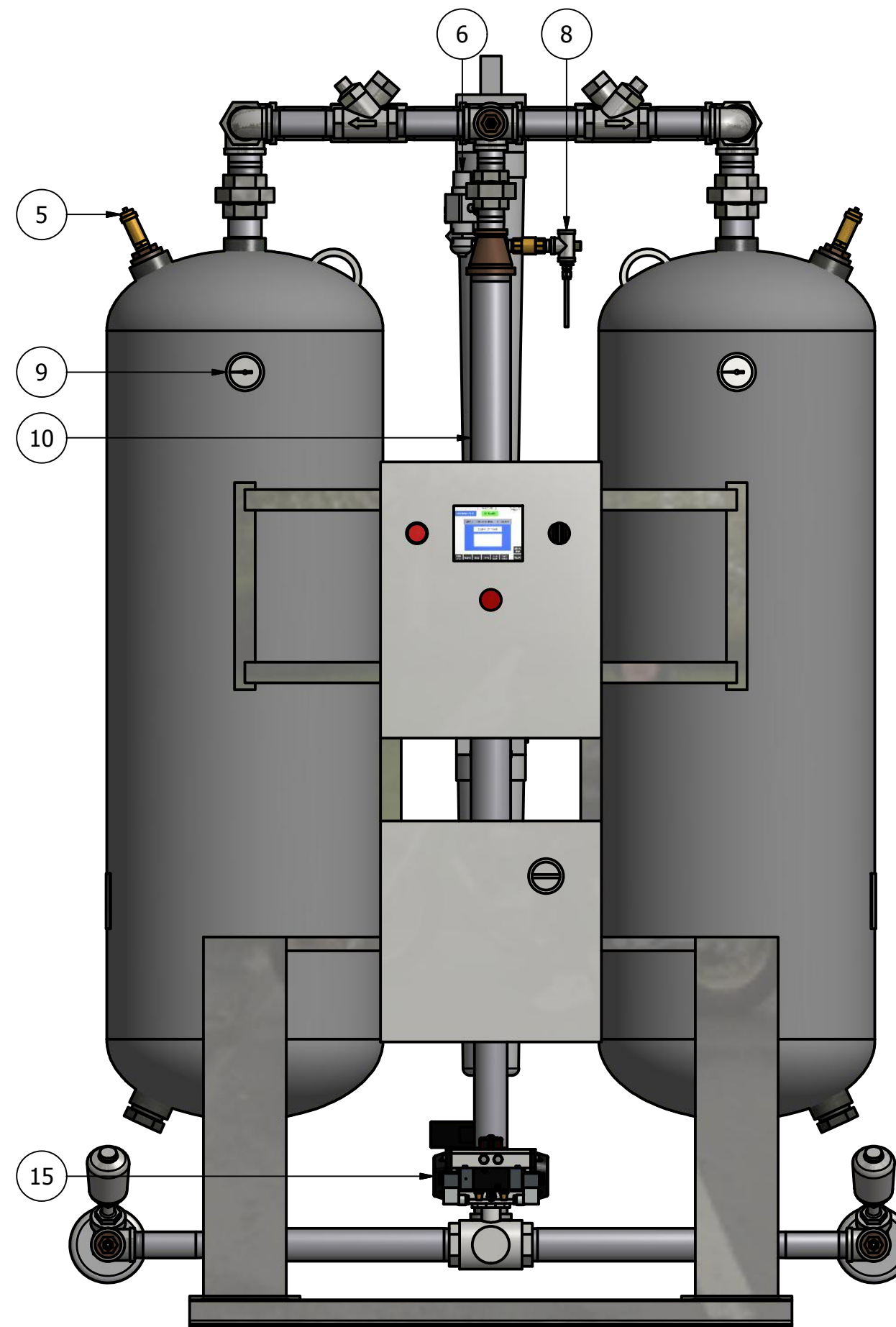
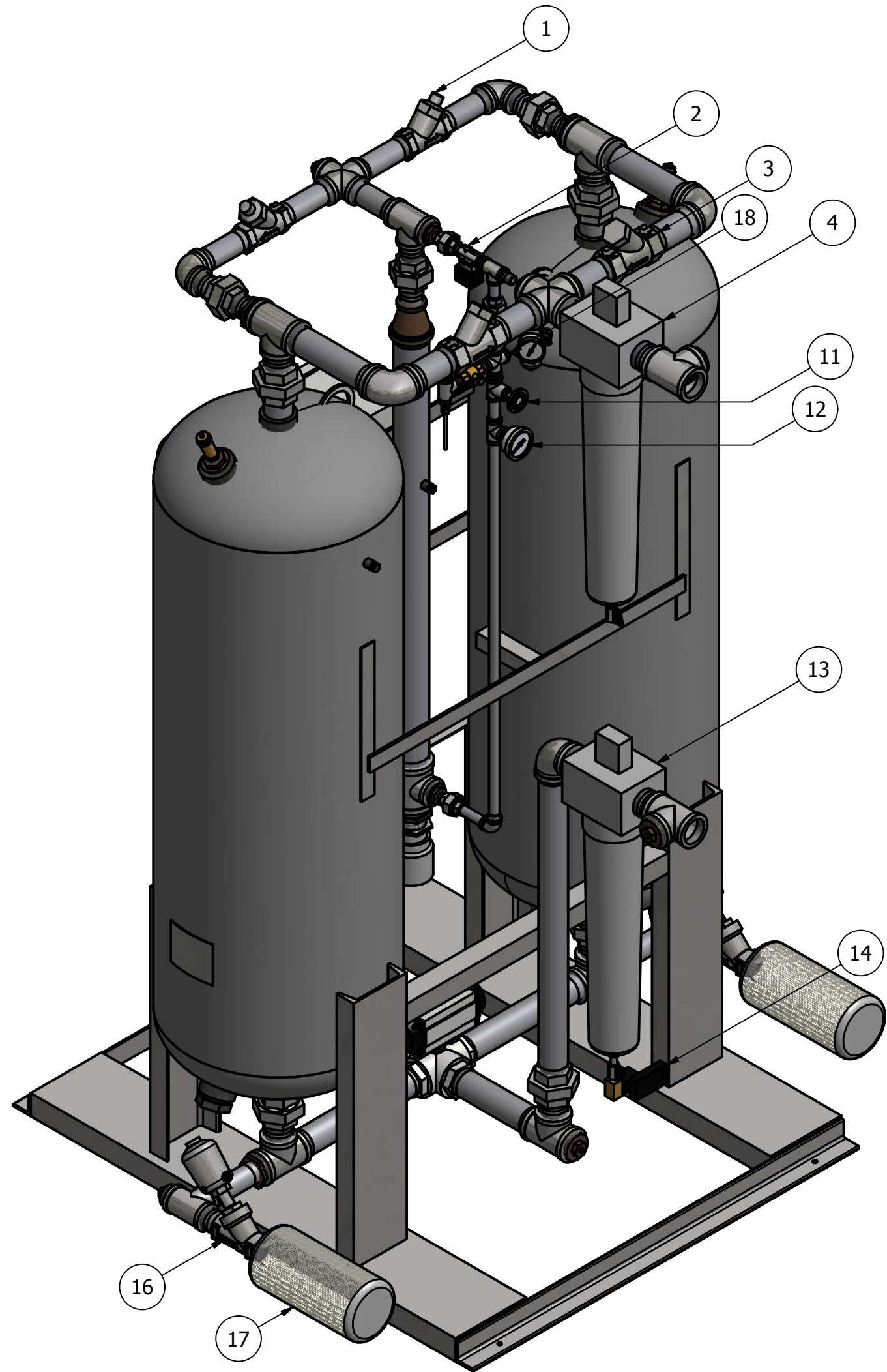
DRAWING NO. **AT20-949** REV. **D**

DRAWN: WS DATE: 8/28/2017  
CHECKED: DATE:

SCALE: N/A SHEET: 2 OF 2

### PARTS LIST

ITEM	QTY	DESCRIPTION
1	2	CHECK VALVE, PURGE
2	1	SOLENOID VALVE, REPRESS
3	2	CHECK VALVE, OUTLET
4	1	PARTICULATE AFTER-FILTER
5	2	RELIEF VALVE, TANK
6	1	PRESSURE REGULATOR, CONTROL
7	1	PRESSURE GAUGE, CONTROL
8	1	DEW POINT MONITOR (OPTIONAL)
9	2	PRESSURE GAUGE, TANK
10	1	7.5 KW HEATER
11	1	GATE VALVE, PURGE
12	1	PRESSURE GAUGE, PURGE
13	1	COALESCER PRE-FILTER
14	1	TIMED DRAIN
15	1	3-WAY BALL VALVE, INLET
16	2	ANGLE BODY VALVE, EXHAUST
17	2	MUFFLER, EXHAUST
18	1	MOISTURE INDICATOR
19	900 LBS	DESICCANT



**PRELIMINARY**